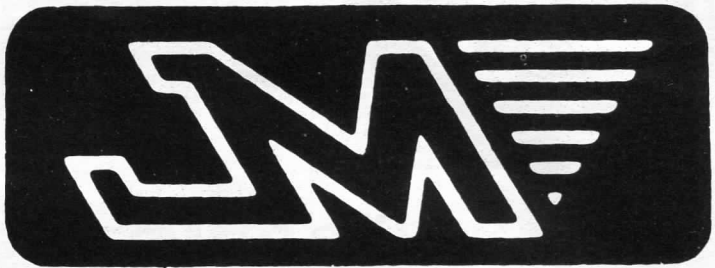


DAP



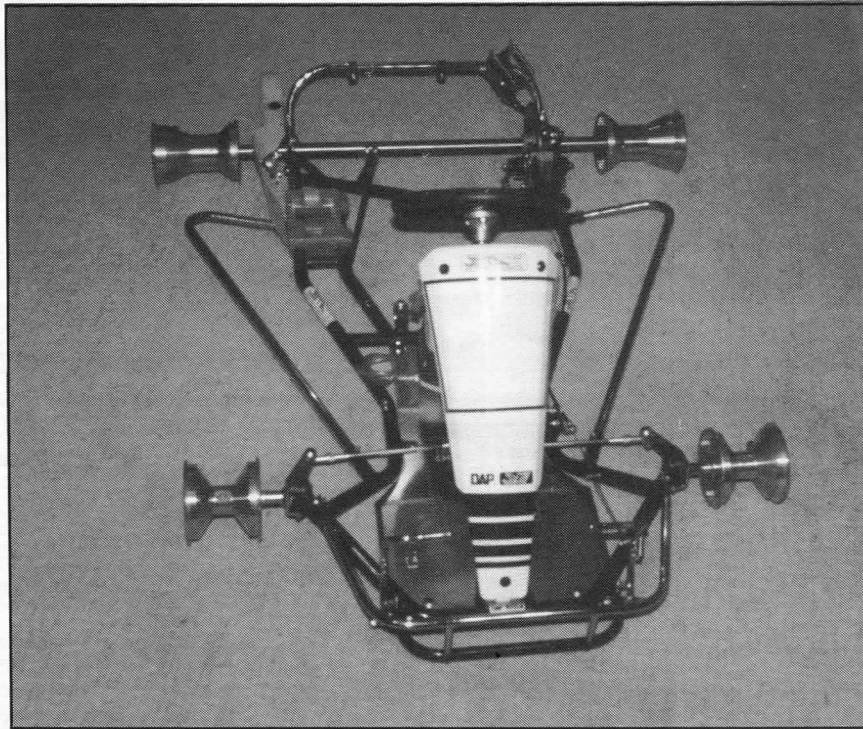
NOV. '59-NOV. '89
30 YEARS ON AND STILL No. 1
FOR SALES, SERVICE & BACK-UP

Many thanks to all our Dealers, Customers & Sponsors

Parkland Textile (Holdings) PLC for their support

SL/07.
JUBILEE MODEL

JOHN MILLS KART
BRITISH CHAMPION



OFFER ENDS 31st NOVEMBER '89 (WHILE STOCKS LAST)

- ▶ LATEST CHROME-MOLY FRAME TECH.
- ▶ FULLY-CHROMED BUMPERS, NERF BARS AND PEDALS.
- ▶ SUPERB DAP MECHANICAL BRAKE WITH AUTO BALANCE.
- ▶ CAST IRON DRILLED REAR BRAKE DISC.
- ▶ L/W STEERING WHEEL.
- ▶ DE-LUXE TANK STRAP.
- ▶ NOSE CONE WITH GRAPHICS.
- ▶ LONG FRONT STUB AXLES WITH GENUINE DAP WHEEL SPACERS.
- ★ FULLY MACHINED DAP ALLOY MONO WHEELS (POLISHED) ★
- ▶ HIGH QUALITY BEARINGS AND TRACK ROD ENDS.
- ★ DAP FULLY PADDED RED SEAT ★
- ★ JM 'BOX TYPE' SIDE PODS IN A RANGE OF COLOURS ★

Fully assembled less tyres & engine.

★ **JUBILEE MODEL £585** ★ **STD. MODEL £510** ★
(ABOVE EQUIPMENT)

FOR THE FULL RANGE OF DAP EQUIPMENT FROM STOCK



DAP U.K. Importer & Distributor
RETAIL — TRADE — EXPORT SUPPLIERS

ALL PRICES PLUS V.A.T.
9am-8pm M-Fri, 9am-1pm Sat



JOHN MILLS (DAP U.K.) 90a Valley Road, Worksop, Notts. S81 7EJ.

Telephone: (0909) 474633

Mobile: (0860) 482998

Telex: 547059

Fax: 474633

PRESTEL MBX: 909474633