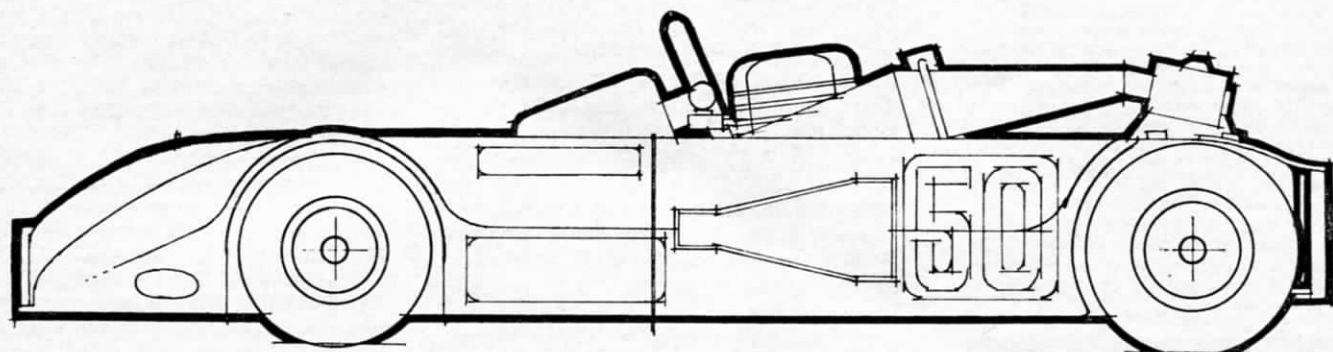


THE MOTUS MARK SEVEN



COUNTY STUDIO (Racing Division)
 Coleorton Leicester
 Osgathorpe 260

BRUNO FERRARI PRESENTS THE IDEAL AND ULTIMATE IN CHRISTMAS GIFTS

BIREL 1973 World Championship Winning Kart

complete with spares and conversion kit for faster circuits. Adjustable wheelbase, track and steering height. Superb disc brake. NEW AND UNRACED WITH THE FOLLOWING EQUIPMENT. Special wheels machined from solid, special alloy, guaranteed round and airtight for tubeless use. Only set in the UK.

PARILLA — 7 times World Championship winning engine, model TT 22, ex factory and just run in and fully modified.

National motor can be supplied.

WITH standard ignition and MOTOPLATT electronic (fitted)

WITH 24mm Dellorto carb and Modified TILLOTSON

WITH Vevey exhaust

WITH set Rain Tyres on rims — new

WITH new BOERI suit to choice

WITH new BOERI integral helmet to choice

THE ABSOLUTE ULTIMATE IN KARTING AND MOST
 PERFECT CHRISTMAS PRESENT
 READY TO RACE

Just name the circuit and it will be geared to suit

PRICE £715 o.v.n.o.

View by appointment only. Will consider splitting but same meticulous preparation cannot be expected.

★ BOERI SPORTS
 EQUIPMENT

★ PARILLA
 CONCESSIONAIRES

BRUNO FERRARI,

107-115 LONG ACRE, LONDON, WC2. — Tel: 01-836 3805

OFFICE: 01-644 3026 HOME: Burgh Heath 52573

KART SPORT

71, HALESOWEN RD., MORDEN, SURREY,
 SM4 6NQ

ZIP & UPTON SPARES

Concession Karts for Shows and Fetes
 Save on VAT. Up to 15% off all goods

Trade van at circuits.

Free postal service

STOKE-ON-TRENT

"BARGAINS GALORE" One of David Horton's very rapid Horton Prepared 250 Montesa King 5s. A gift at £220. 1 pair ½ worn Trelleborg wet tyres on Zip 6" spun alloy wheels £6.50 each. 1 pair ½ worn 4.10/3.50-5 Tex-con hand cut wet tyres on little used spoked alloy rear wheels £6.50 each. 1 pair 4-10/3.50-6 hand cut Carlisle wet tyres (1 meeting) £5 each. Blow (4 & 5") Finned cast iron front brake drums new and very little used. 1 pair leathers to suit 6-footer, cost £28 new, only £12. 1 3-gal. Blow fibre glass rear tank c/w Brackets cost £25 new, only £15.

David Horton, Potteries Diesel Service

MASON STREET, FENTON, STOKE-ON-TRENT
 Telephone: 0782-45556 or 0782-34682 ANY TIME.

**John
 Gillett
 Sports
 Cars**

YOUR COMPLETE
 ENGINE SERVICE
 for
 ALL CLASS 1
 ENGINES

SPECIAL OFFERS
 Tillotson carbs from £9.25
 Goodyear Blue Streak 600 x 5, £7.00
 Regina Chain, choice of Champions
 Trade enquiries welcome
 All plus V.A.T.

● 24 hour—7 day
 week
 ● C.O.D. spares
 service
 ● Phone anytime
 day or night
BM : PARILLA

32 MONARCH PARADE
 LONDON ROAD
 MITCHAM, SURREY
 Phone
 01-640 0969